



5109 East La Palma Ave.
Suite A
Anaheim, CA 92807
(714) 695-3670 FAX: (714) 695-3671

LEAN BOARD

FRAME PLAN AND ELEVATIONS

SHEET TITLE

REV	DATE	DESCRIPTION

DRAWN BY: TD CHECKED BY: GS

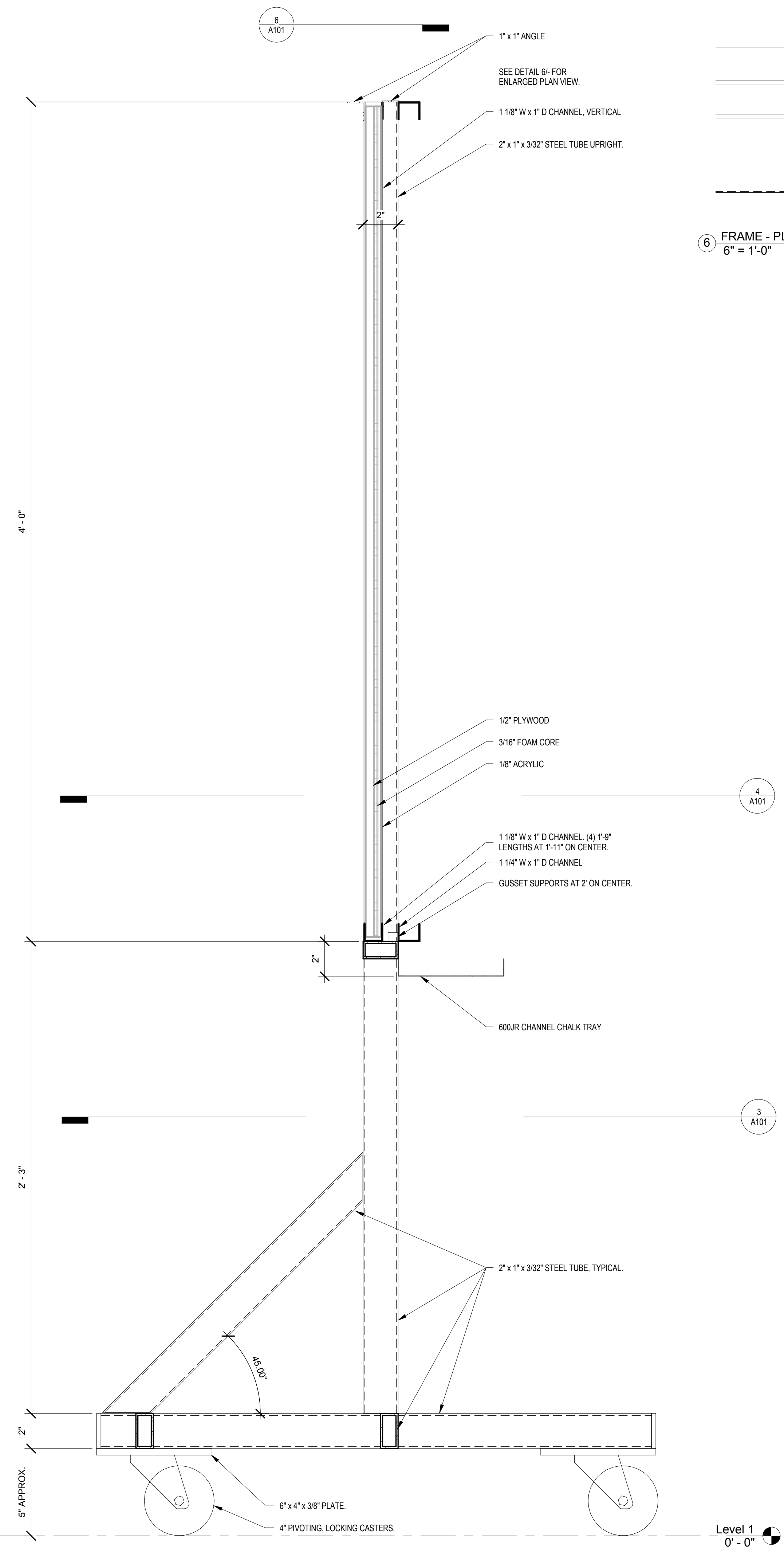
PROJECT NO:
Project Number

DRAWING NO:

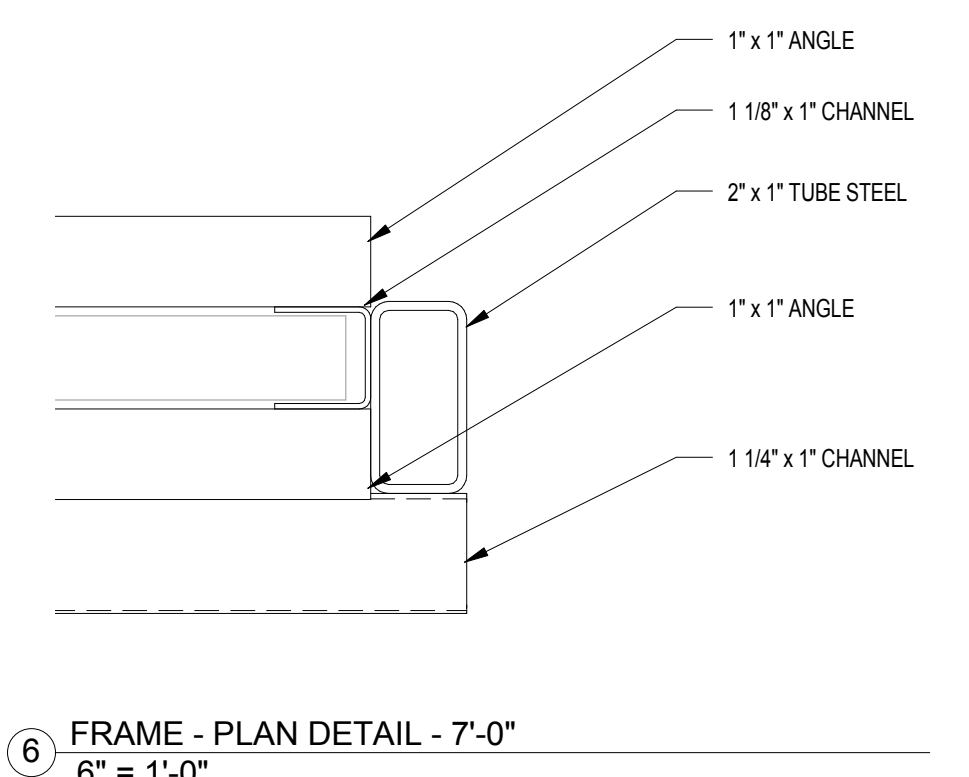
A101

1/14/2016 11:44:37 AM

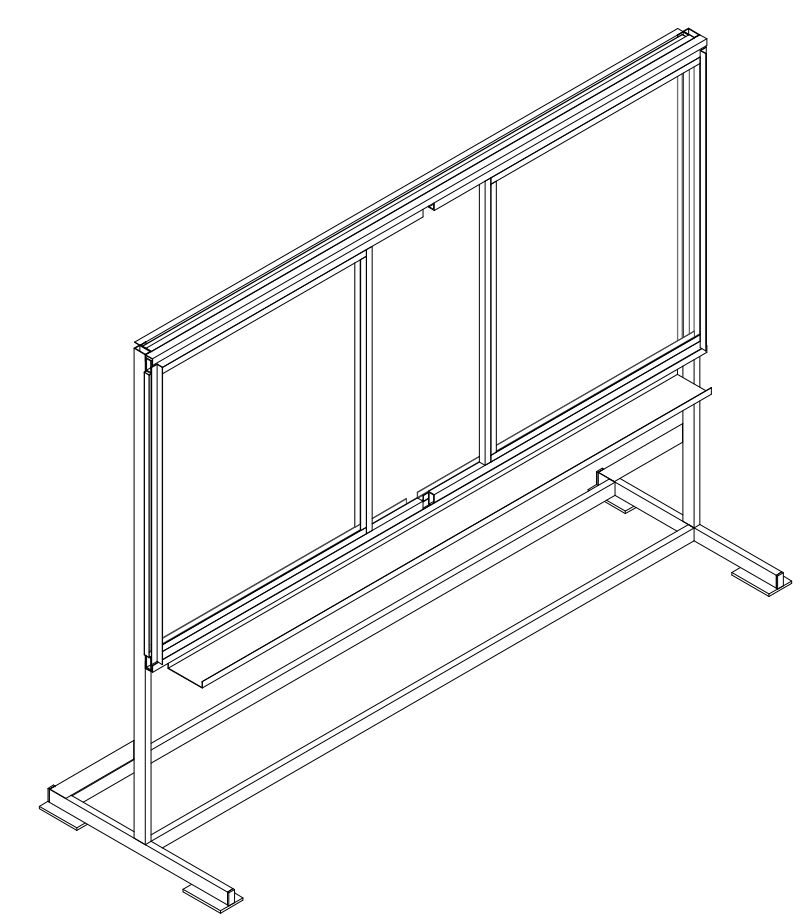
\\scanshared\cdd\Estimated Jobs\Lean Board\Board Design\Central.NEWT



5 Section 1
3" = 1'-0"



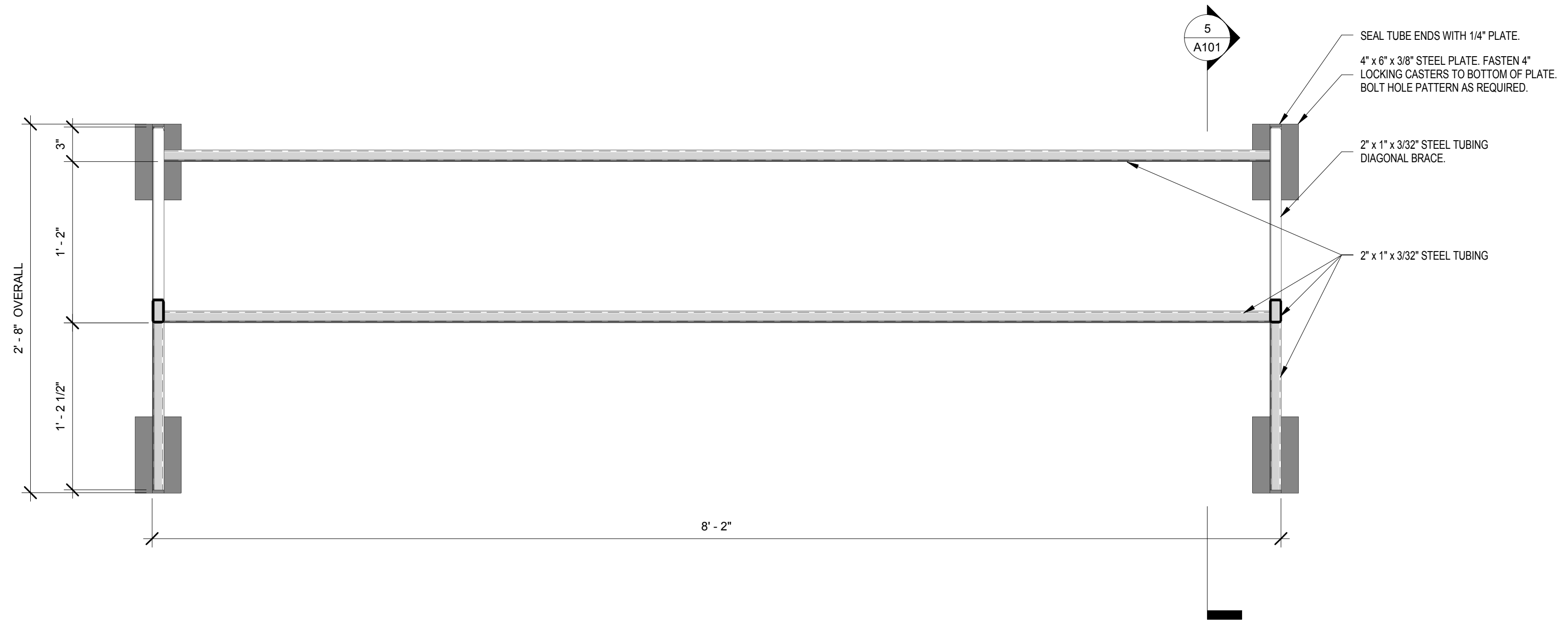
6 FRAME - PLAN DETAIL - 7'-0"
6" = 1'-0"



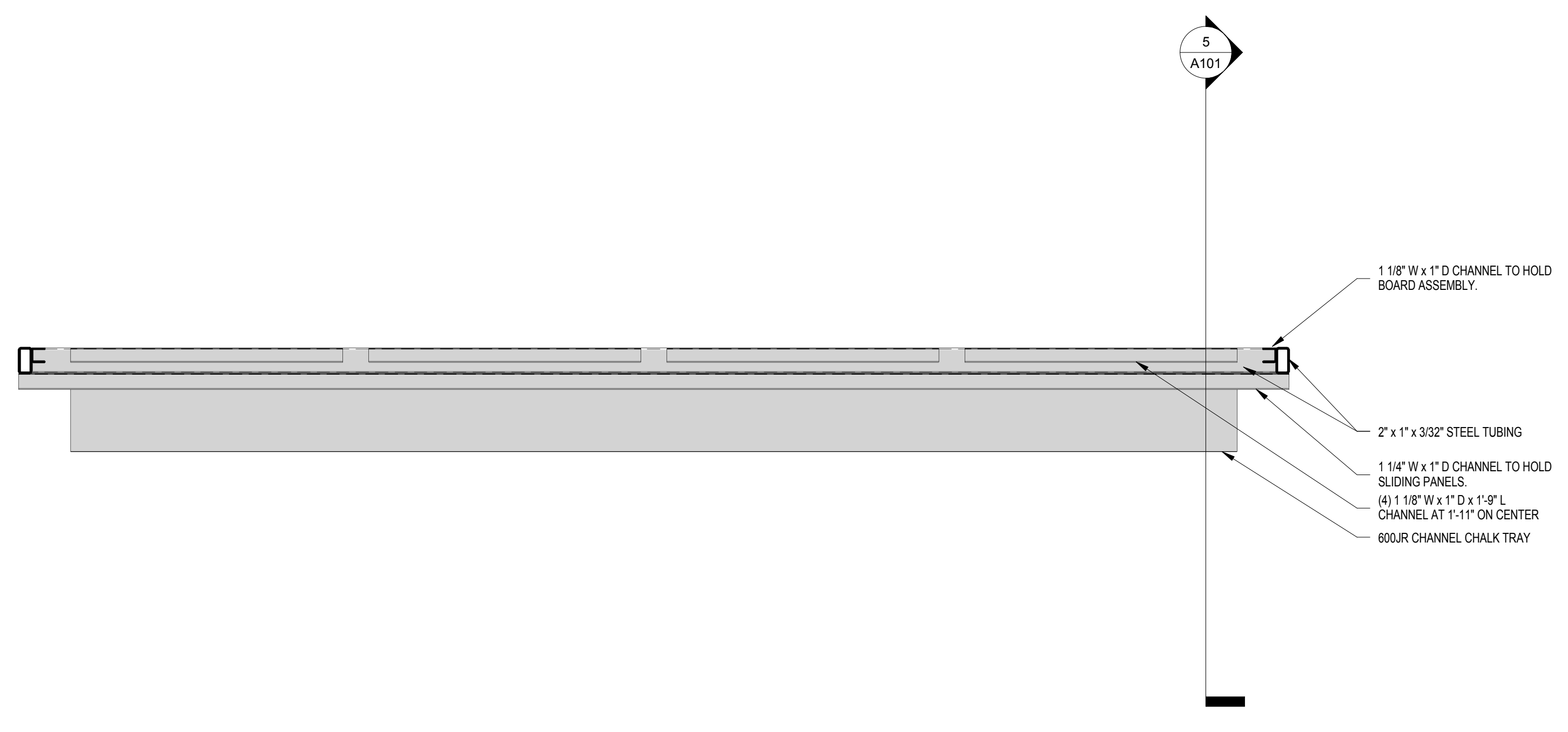
2 3D Isometric Closed



1 3D Isometric Open



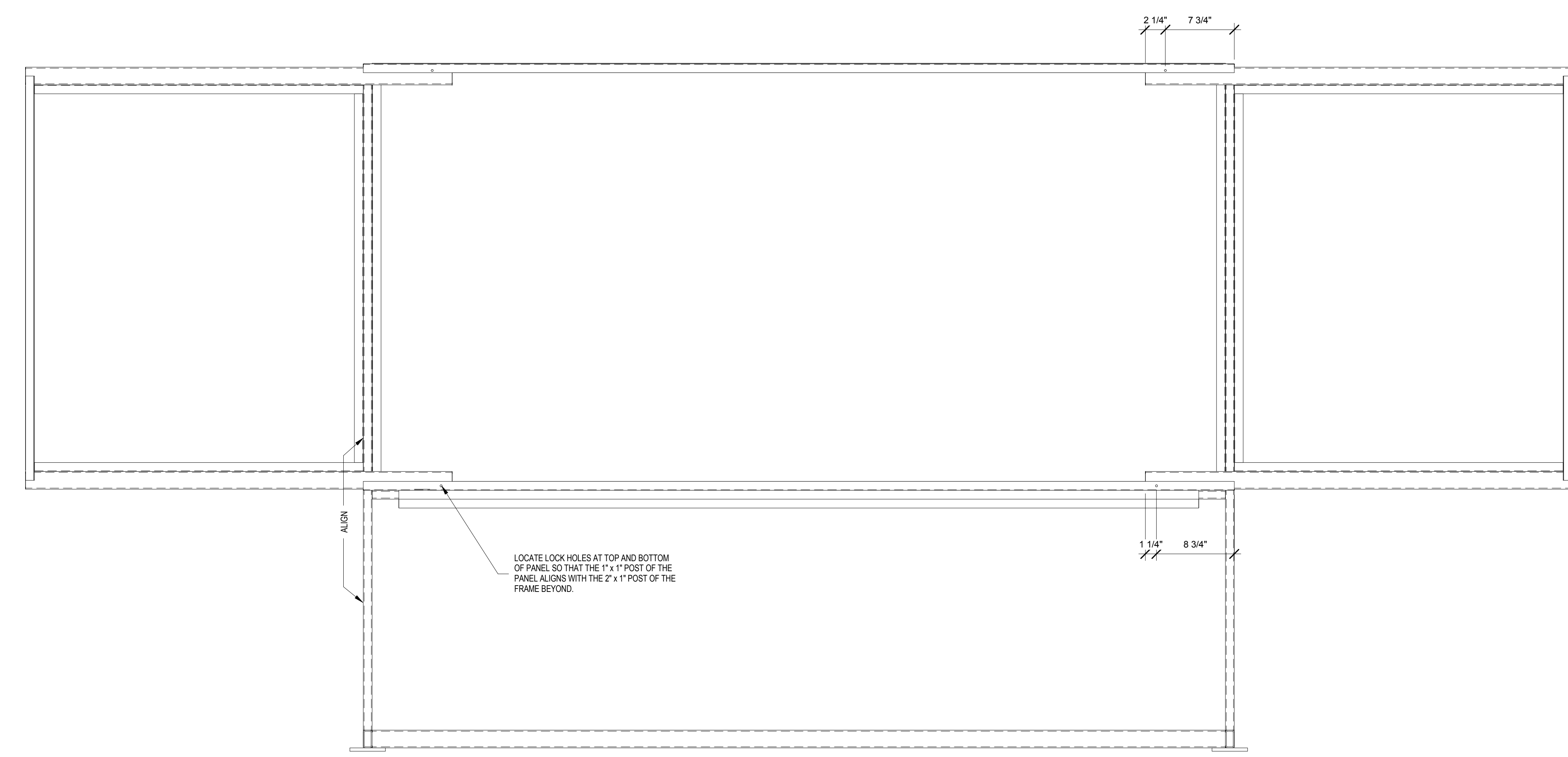
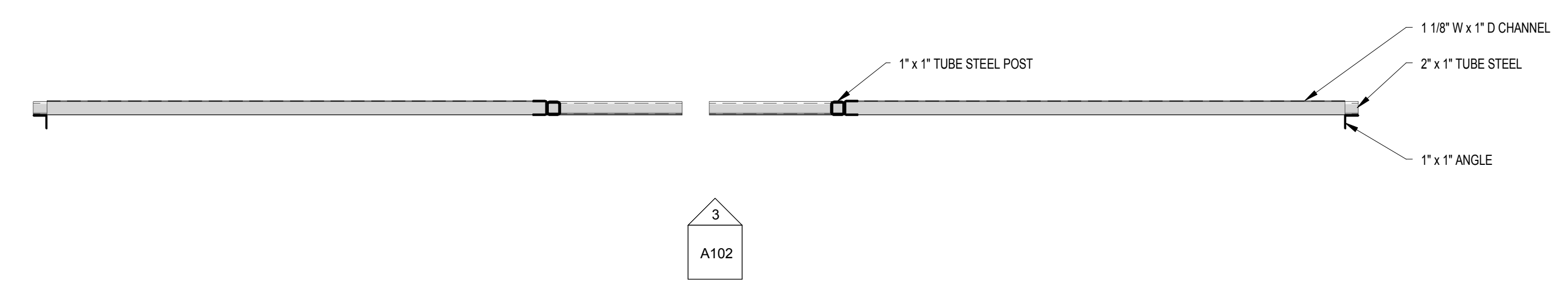
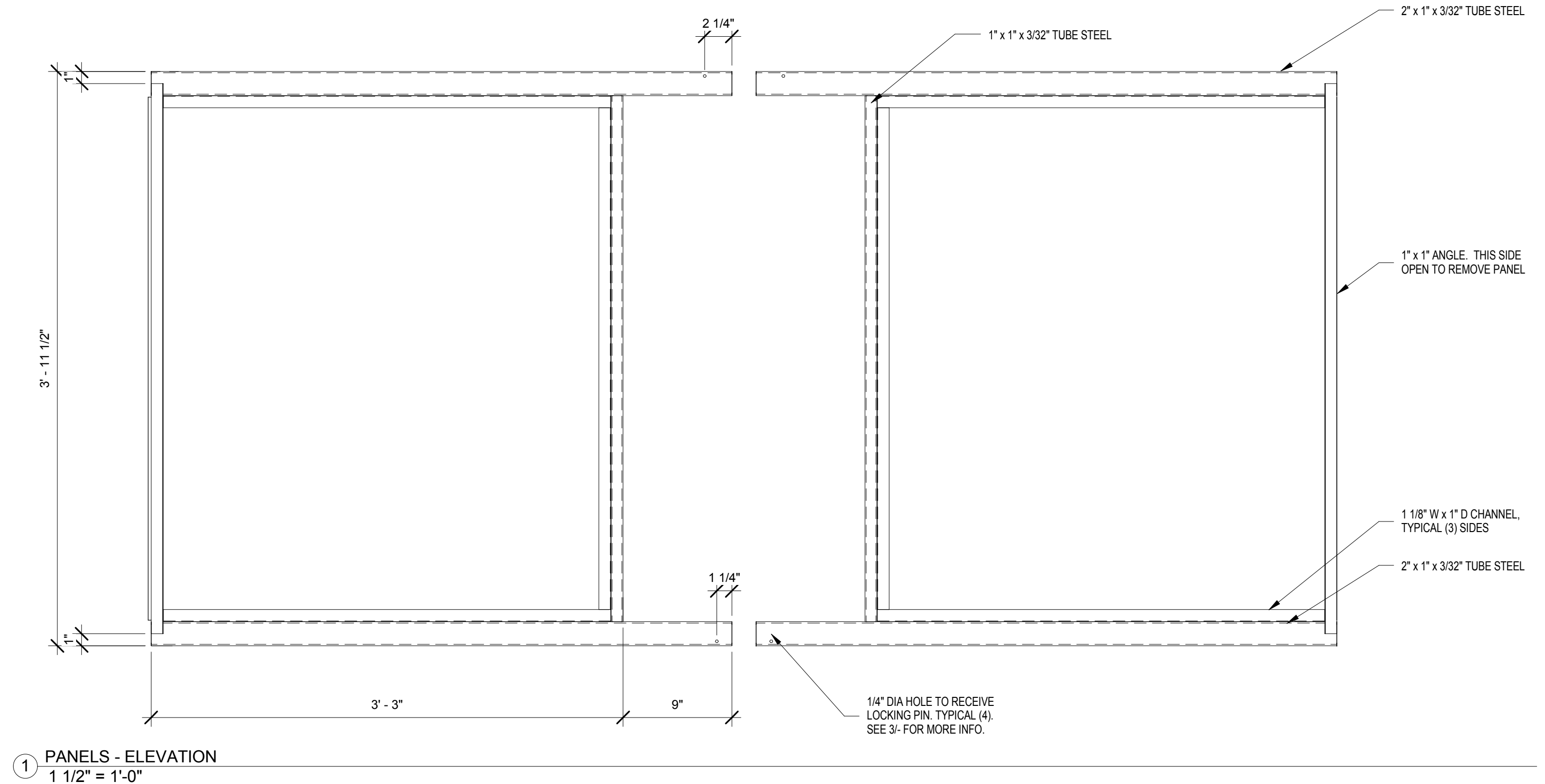
3 FRAME - PLAN VIEW - 2'-0"
1 1/2" = 1'-0"



4 FRAME - PLAN VIEW - 3'-6"
1 1/2" = 1'-0"

Structural Framing...	
Length	Count
1/4X2	
0' - 1"	4
3/8X4	
0' - 6"	4
100L100-54	
8' - 0"	2
600JR-33	
7' - 6"	1
HSS2X1X1/8	
2' - 7 1/2"	2
3' - 3"	2
4' - 0"	2
8' - 0"	3
RC 1.25 x 1	
8' - 2"	2
RC 1.0625 x 1	
1' - 9"	4
3' - 1"	4

Structural Column...	
Length	Count
100L100-54	
3' - 9 1/2"	2
HSS1X1X3/32	
3' - 7 1/2"	2
HSS2X1X3/32	
1' - 7"	2
6' - 3"	2
RC 1.0625 x 1	
3' - 5 1/2"	2
3' - 10 15/16"	2



SHEET TITLE

REV	DATE	DESCRIPTION

DRAWN BY: TD CHECKED BY: GS

PROJECT NO. Project Number

DRAWING NO. A102